

EA1135 Series



Features

- Active PFC
- CEC Compliance
- RoHS Compliance
- IEC320 C14, C6
- Over Voltage Protective Installation
- Over Current Protective Installation
- Protection Type: Auto-Recovery
- MTBF: >30,000 hours

EA1135 x Y - wv PP

x: Case type: 1. C14 3. C6

Y: Output range

wv: Specified output voltage, ie 24 is 24Vdc

PP: Connector type, ie 01 for EDACPOWER standard dc cable or please refer to the appendix page

Electrical Specifications

MODEL No.	MAX. OUTPUT POWER (W)	OUTPUT VOLTAGE (Vo)	MIN. LOAD (Io)	MAX. LOAD (Io)	LOAD REGULATION	LINE REGULATION	RIPPLE & NOISE
EA1135xA	120W	12~17V	0	10A	± 5%	± 1%	240mV
EA1135xB	130W	18~24V	0	7.22A	± 5%	± 1%	480mV
EA1135xC	120W	15~24V	0	6.66A	± 5%	± 1%	480mV
EA1135xD	150W	15~24V	0	8.33A	± 5%	± 1%	480mV

NOTE:

1 : Ripple & noise is measured by using 20MHz bandwidth limited oscilloscope and terminated each output with a 0.1uF ceramic capacitor & parallel with 47uF aluminum capacitor at full load and nominal line.

2 : Line regulation is defined by changing ±10% of input voltage from nominal line at rated load.

3 : Max. Output Power (W) ≥Vo x Io

Electrical Specifications

INPUT

- Input Range 100 to 240 VAC
- Frequency 50 to 60Hz
- Input Current ≤2.5A
- Inrush Current ≤120A At cold start
- Efficiency Meet CEC Level IV, V
- Hold Up Time ≥8.3mS
- Turn On Time ≤3s

OUTPUT

- Over Voltage Protection Auto Recovery
- Short Circuit Protection Auto Recovery

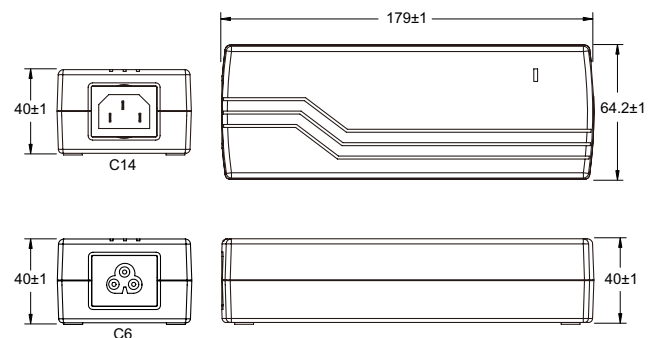
ENVIRONMENTAL

- Operating Temperature 0 to 40°C
- Storage Temperature -20 to 85°C
- Storage Humidity 5% to 95%

SAFETY

- UL/CUL UL60950, UL60065, TUV/GS EN/IEC 60950, EN/IEC 60065 CB, DoIR+C-Tick, CE, EK, FCC, BSMI

Mechanical Specification



- Case Size: 179Lx64.2Wx40H (mm)
- AC Inlet: C14, C6
- Weight: 705g